



# Alaster

## *Smart BLDC Pump*

### A9 / A9A

Multi-speed version

Single-speed version



A9 WiFi controller

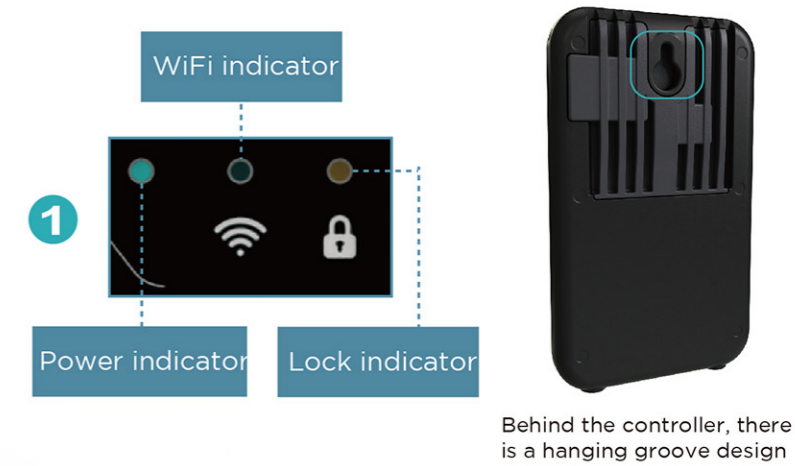
Design by  
Japan



# Smart BLDC Pump

A9 Multi-speed version / A9A Single-speed version

This pump, specifically designed and manufactured for the household and aquarium market, obtained BLDC motor. It is functioning both underwater and on land, and is suitable for a wide range of environments. High safety and zero-pollution material design can ensure the protection of the pump and biosecurity. Easily realize energy saving and smart control into Alaster Smart BLDC Pump.



## Characteristics of A9 Controller

The A9 touch controller equipped with visual light signal display, fault indication, gentle breathing light during operation, and buttons on the panel with instructions in both English and Chinese.

A9 Controller functions			
2	Speed/Pause/Fault indicator		
3	On/Off	5	Slow down
4	Pause	6	Speed up

## Feature Description

### Designing a Vortex Flow Channel To Achieve High Water Output

The front cover is designed with vortex flow channel, effectively suppressing blade water throwback to reduce turbulence and directing the pump outlet for smoother and more efficient performance, thus achieving higher output efficiency compared to typical commercially available products.



### 3D Unique Blade Design Six-speed Controller

3D blade curve design ensures smooth flow operation, significantly reducing the load. The six-speed controller is able to be adjusted to achieve the ideal flow rate, optimizing energy efficiency.



### Submersible Design Amphibious Use in Freshwater and Seawater

The motor obtains IPX8 waterproof level, can be used up to 2 meters underwater or at the bottom as a filter. Hardware-free fastening design for easy user disassembly and cleaning.



### Five-level Security Protection To Bring Us a Safety Experience

Equipped with five-level security protection, features uninterruptible power protection, voltage abnormality protection, foreign object blockage protection, over current protection, motor assembly sealing protection, comprehensively protection for pump unit and environmental safety.



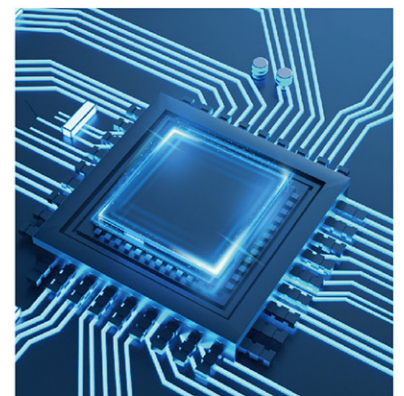
### Zero-pollution Material Design Ultra-quiet BLDC Motor

High-density wear-resistant ceramic for extreme durability, BLDC motor, lightweight, ultra-quiet sine wave technology, body made of non-copper corrosion-resistant and insulating materials, highest-grade ABS, does not impact any aquaculture environment.



### Smart Control Available with A9

The smart controller obtained WiFi connect function, linked with the Ultron module to realize smart and schedule control via cell phone and tablet, create a significant convenience beneficiary.



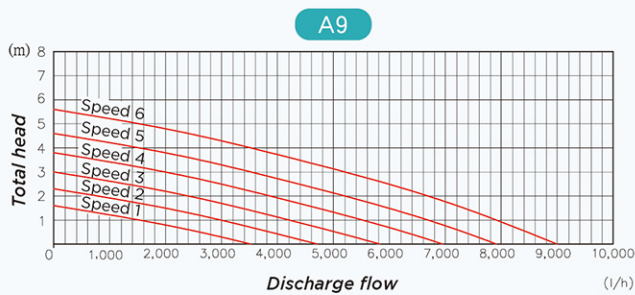


## Operating Environment

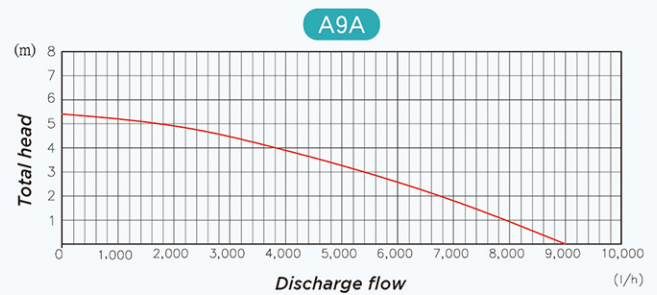
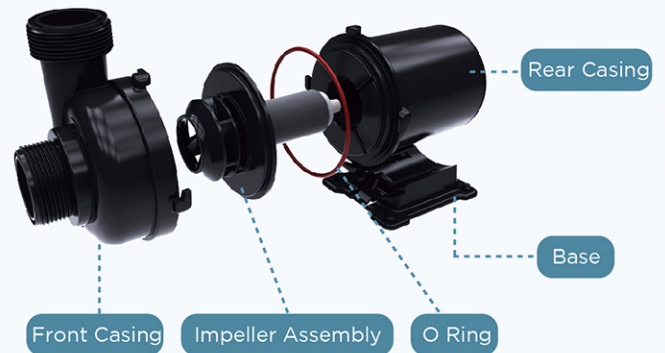
Aquarium, aquaculture, interior design, aquaponics, symbiosis, aquarium engineering firm, large marine exhibit, filtration equipment system, seafood store, pond system, waterway, wastewater(household), emergency drainage, handling applications.



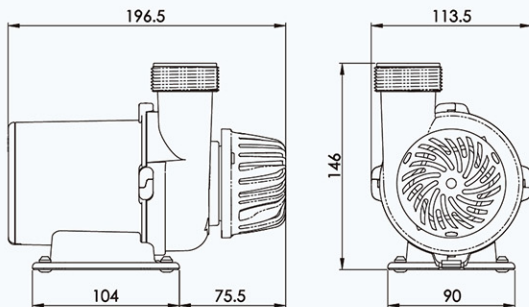
## Pump Performance Curve



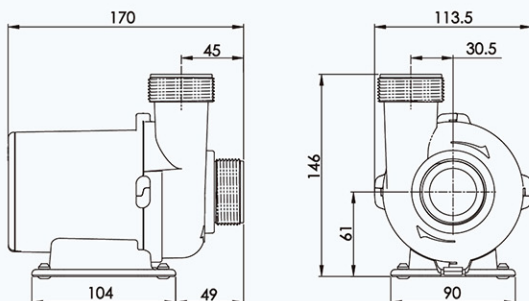
## A9/A9A Parts List



## A9/A9A Dimension (Unit : mm)



With water inlet cover dimension



Without water inlet cover dimension

## Specification

Model	A9	A9A
Max. flow rate(l/h)	9,000	
Max. head(m)	5.4	
Motor speed	Multi-speed version (Six speed)	Single-speed version (Single speed)
Power supply	Input	100-240 VAC
	Output	36V/2.7A
Motor consumption(W)	80	
Dimension(mm)	170x113x146(Without water inlet cover ) 196x113x146(With water inlet cover ) 145x85x22.6(Controller)	
Length of power cord(m)	3	
Pipe tapping size	Suct. PF 1 1/2" Disch. PF 1 1/2"	
Controller	WiFi module	-

## SHENG YUAN ELECTRIC CO., LTD.

No.490, Shuiyuan Rd., Fengyuan Dist., Taichung City 420, Taiwan  
 TEL: +886-4-2522-2186  
 EMAIL: sales@alaska.com.tw



en.alaska.com.tw



010101-A1

\*\* In order to make the product more suitable to meet customers requirement, please kindly note that the product specifications, dimension, and price are subject to change without notice.